

INSPIRING TRENCHLESS TECHNOLOGIES



TRACTO-TECHNIK



15XP ALL 15XPT ROUNDERS

■ MADE
■ IN
■ GERMANY

GRUNDODRILL^{15XP/15XPT}
Fluid-assisted HDD rigs



Fully automatic rod exchange
in only 35 seconds for high productivity
and uniform wear of all rods

Spacious rod magazine
up to 210 m on board

Anchoring system
for increased stability while drilling
and **minimal rod wear**

Integrated high-pressure cleaner
Comfortable cleaning

SUCCESSFUL DUO

Efficiently flexible

Collecting tray for Bentonite
with (optional) Bentonite
suction pump



SIMPLE RELOADING

- If the rod supply in the magazine is not sufficient for the operation, single rods can be reloaded.
- The drill rod is placed into the feed orifice at the side by hand, from where it is transported to the magazine automatically.

Comfortable swivelling cabin
for high operator-convenience, clearly
arranged and can be positioned flexibly

Large GFRP service hood
easily accessible for service
and maintenance

**Wide undercarriage with
rubberised steel tracks** extremely
mobile and self-supporting



ADDITIONAL IMPACT FORCE



- Optional impact unit for additional dynamic ramming energy in the course of pilot drilling.
- Convertible to cable-guided bores for tracking in challenging terrains and at great depths.

MAXIMUM FLOW RATE



- The Bentonite pump forwards up to 200 or 300 l/min and allows for high speed and large upsizing diameters to be used in the process of upsizing.



GROUND CONTROL

Full vision, maximum comfort



OPTIMAL OPERATOR'S POSITION

The glazing of the operator's cabin offers a panoramic view of the surroundings. The operating elements are clearly arranged and all functions and drilling parameters can be controlled without difficulty via interactive control.

- panel PC with touchscreen with internet access
- High-resolution colour screen with optional online traction force measurement
- Display with optional tensile load measuring
- Data log acc. to the latest standards, printing via PC, USB port
- Recording of the complete drilling course data
- Remote diagnosis with telemetric data transfer
- Semi-automatic with drill rod pull-in
- Fully automatic with automatic paddle mode (optional)



TOTAL EASE OF USE

All functions are controlled at the push of a button via two multifunctional joysticks.

CUSTOMISED ERGONOMICS

The comfortable seat is air-sprung and can be adjusted individually. This makes it ideal for comfortable working.





UPSIZING



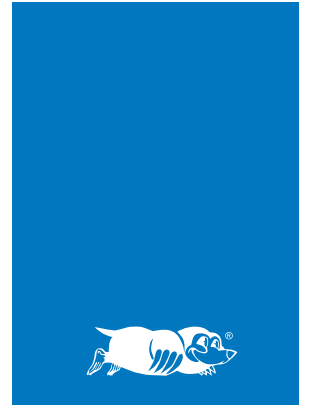
PILOT BORE



PULLING IN



ICEBREAKER





EARNs ITS REPUTATION FROM THE FIRST METRE ON

Application

All GRUNDODRILL rigs are designed for a wide range of applications; a long service life, minimal wear, minimal downtime and low consumption of resources and fuels – making them particularly flexible and economic – from the first day onwards.

■ UNDERCROSSINGS

The standard applications with the GRUNDODRILL include directional drilling operations beneath roads, railway tracks and buildings.

■ LONGITUDINAL BORES

Not only undercrossings, but also linear drilling operations and taking a parallel course to roads, water bodies and buildings, are all common applications.

■ CABLE-GUIDED DRILLING

When detection of the bore is especially demanding, cable guided drilling is applied, e.g. for deep boreholes, crossings underneath water bodies or railway tracks or when interferences occur.

The fluid-assisted HDD method

PILOT BORE*



Implementing of the planned bore path:

- Linear bores: pushing and rotation of the bore head.
- Curved bores: pushing of the aligned bore head, supported by paddle mode/impact unit if required.

UPSIZING & PIPE PULLING*



Installation of the product/protection pipe:

- Reverse pulling of the backreamer with pipe attached, intermediate upsizing may be necessary.

* Depending on soil type and required upsizing diameter special drilling tools are used.

WELL PLANNED EQUIPMENT IS HALF THE DRILL



Accessories

Drilling tools, perfectly adapted to the drill rig, guarantee an optimal drilling progress in every type of soil. Robustness and durability of all parts are guaranteed.

STANDARD DRILLING TECHNIQUE



15XP: TD61 rods
15XPT: TD73 rods



Medium Soil Reamer



Cone Reamer



GRUNDOREAM

Maintenance-free centrifugal pump for conveying up to 1800 l/min

870 l/min fresh water filter



WELL PREPARED TO SATISFY ALL NEEDS

Bentonite funnel with marking grid for 50 kg Bentonite, processes 25 kg of Bentonite in only 25 seconds.



A first-class drilling fluid technique is an important component for successful drilling. In combination with the drill rig and drilling tools, the drilling fluid technique of TT provides a coherent package for efficient work – even in complex soils.

Powerful mixing systems and pumps guarantee high drilling fluid performance. Professional measuring units and drilling fluid additives are available to ensure a drilling fluid quality that is well adapted to the soil.

For more information on this important topic, please visit our website for details on our in-house training courses or ask for further information on mixing systems and truck platforms.



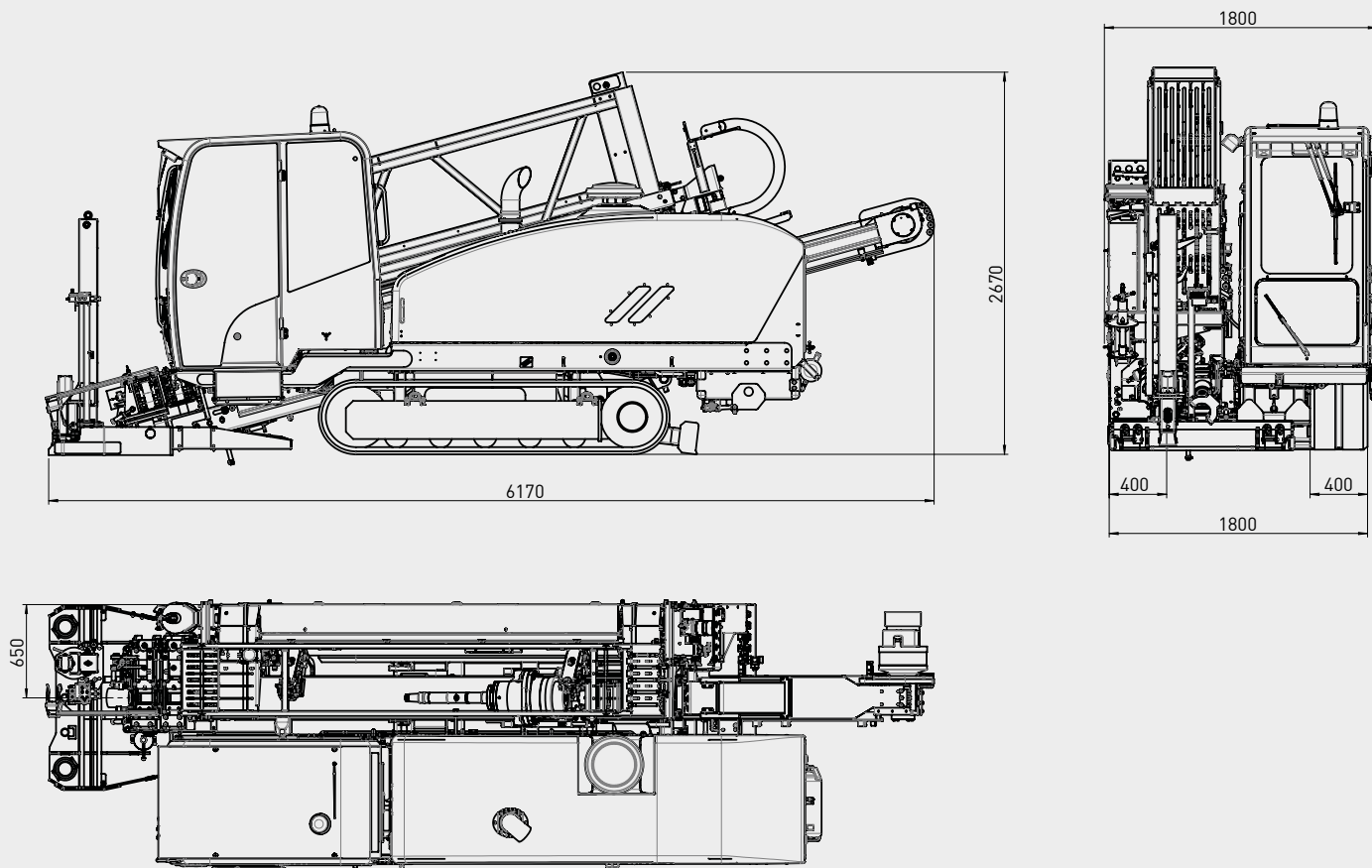
Mixing system MA07



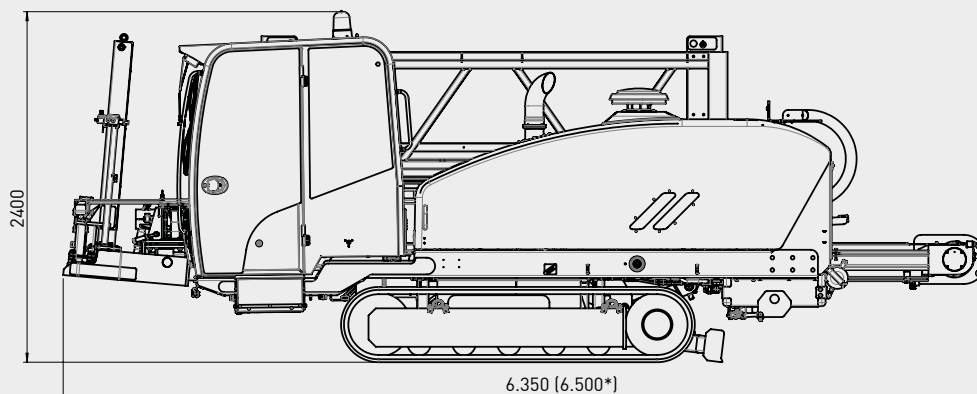
Mixing system MA010

TECHNICAL DATA GRUNDODRILL 15XP / 15XPT

WORKING POSITION



TRANSPORT POSITION



TECHNICAL DATA



Model

GRUNDODRILL^{15XP}

GRUNDODRILL^{15XPT}

Basic equipment

- | | |
|---|---|
| <ul style="list-style-type: none"> ■ Cummins motor Tier 4 final, Stage IV for driving and drilling, 119 kW ■ Drill rig with rubber track undercarriage, stabilisor ■ wireless remote control ■ spacious cabin, comfortable seat, joysticks, panel PC with touchscreen ■ automatic bore mode ■ fully galvanised rod box ■ semi-automatic rod exchange system ■ semi-automatic clamp and break-away facility ■ Anchoring system with drilling fluid collecting tray ■ powerful HP Bentonite pump on board the rig ■ Bore data logging – data transfer ■ High-pressure cleaner ■ Optional: fully automatic system, hammer mechanism, rubberised steel track undercarriage, air conditioning | <ul style="list-style-type: none"> ■ Cummins motor Tier 4 final, Stage IV for driving and drilling, 119 kW ■ Drill rig with rubber track undercarriage, stabilisor ■ wireless remote control ■ spacious cabin, comfortable seat, joysticks, panel PC with touchscreen ■ automatic bore mode ■ fully galvanised rod box ■ semi-automatic rod exchange system ■ semi-automatic clamp and break-away facility ■ Anchoring system with drilling fluid collecting tray ■ powerful HP Bentonite pump on board the rig ■ Bore data logging – data transfer ■ High-pressure cleaner ■ Optional: fully automatic system, hammer mechanism, rubberised steel track undercarriage, air conditioning |
|---|---|

Performance data

Drill rod type: TD61

Drill rod type: TD73

L x W x H [mm]	6.350 (6.500*) x 1.800 x 2.400	6.350 (6.500*) x 1.800 x 2.400
Weight incl. rods [kg]	10.035	10.780
Rod magazine capacity [m]	210	180
Inclination angle	11°–20°	11°–20°
Thrust and pullback force [kN]	147	160
Max. torque [Nm]	4.500	6.500
Max. spindle rotation [rpm]	190	190
Pilot bore Ø [mm]	100	115
Drill rod Ø [mm]	62/54	73/63
Effective rod length [mm]	3.000	3.000
Rod weight [kg]	26	42
Upsizing Ø** [mm]	≤ 500	≤ 500
Outer pipe Ø** [mm]	≤ 400	≤ 400
Bore length** [m]	≤ 350	≤ 400
Min. bore radius [m]	42	45 NEW
Max. driving speed [km/h] 2stage	2 / 4	2 / 4
Fresh water tank [l]	100	100
Sound pressure level L_{PA} [dB(A)]	67.1	67.1
Sound power level L_{WA} [dB(A)]	97	97
Max. engine output [kW]	119	119
HP Bentonite pump [l/min]	200	225 (320)
Whole body or Hand / Arm vibrations	< 0,5	< 0,5
Diesel tank [l]	120	120

* with fully automatic option ** soil-dependent



TRANSPORTATION WITH A PLAN



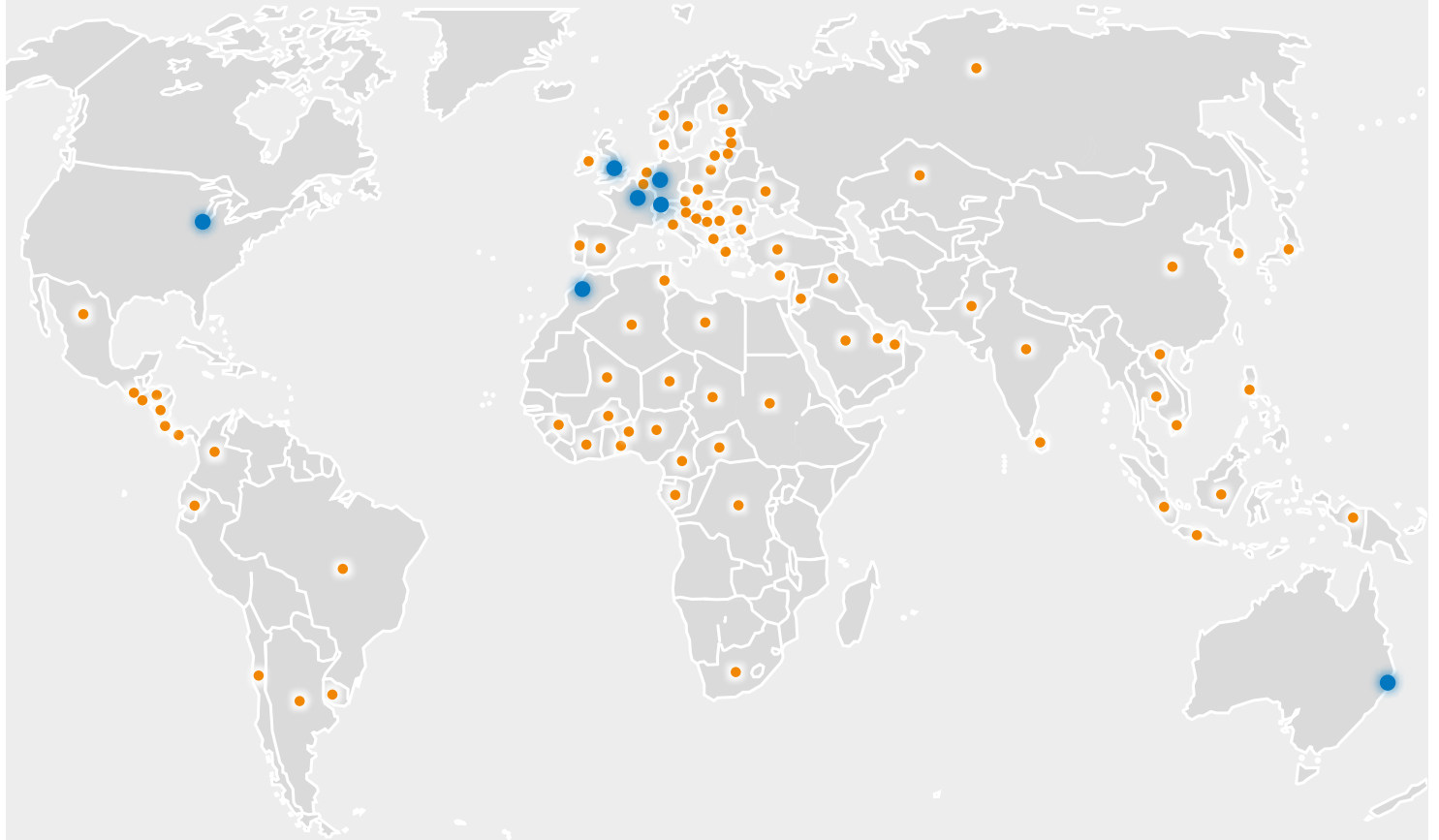
Everything on board: truck platform for mixing systems, drive and accessories.

WE KNOW THE DRILL

We will gladly assist you in selecting the most suitable truck and trailer. Ask for our flyer on system recommendations.

TRACTO-TECHNIK

worldwide



Germany
TRACTO-TECHNIK GmbH & Co. KG
TT Headquarters
Paul-Schmidt-Straße 2
57368 Lennestadt
Tel: +49 2723 808-0 · Fax: -180
info@tracto-technik.com
www.TRACTO-TECHNIK.com

Switzerland
TRACTO-TECHNIK
Schweiz AG
Ratihard 3
8253 Diessenhofen
Tel: +41 79 8203897
info@tracto-technik.ch
www.TRACTO-TECHNIK.ch

United Kingdom
TRACTO-TECHNIK UK Ltd
10 Windsor Road
Bedford MK 42 9SU
Tel: +44 1234 342566
Fax: +44 1234 352184
info@tt-uk.com
www.TRACTO-TECHNIK.co.uk

France
TRACTO-TECHNIK France S.a.r.l.
1/3 Rue de la Prairie
F-77700 Bailly Romainvilliers
Tél: +33 1 60 42 49 40
Fax: +33 1 60 42 49 43
info@tracto-technik.fr
www.TRACTO-TECHNIK.fr

Presented by your TT partner:

USA
TT TECHNOLOGIES Inc.
2020 East New York Street
Aurora, IL. 60502
Tel: +1 630 851 8200
Fax: +1 630 851 8299
info@tttechnologies.com
www.TTTECHNOLOGIES.com

Australia
TRACTO-TECHNIK Australia Pty Ltd.
6 Devlan Street
Mansfield, Qld 4122
Tel: +61 734205455
Fax: +61 734205855
info@tracto-technik.com.au
www.TRACTO-TECHNIK.com.au

Morocco
TRACTO-TECHNIK Afrique S.a.r.l.
Route de Tamesna 4022
Poste 2044, 12220 Tamesna
Tel.: +212 53740 1363/64
Fax: +212 53740 1365
info@tracto-technik.ma
www.TRACTO-TECHNIK.ma

INSPIRING TRENCHLESS TECHNOLOGIES

